

## Safety Filter – Absolute Filter



The Safety Filter is designed as an absolute filter used for air filtration in ventilation ducts systems.

Safety Filter cleans the air of pollutants in continuous operation.

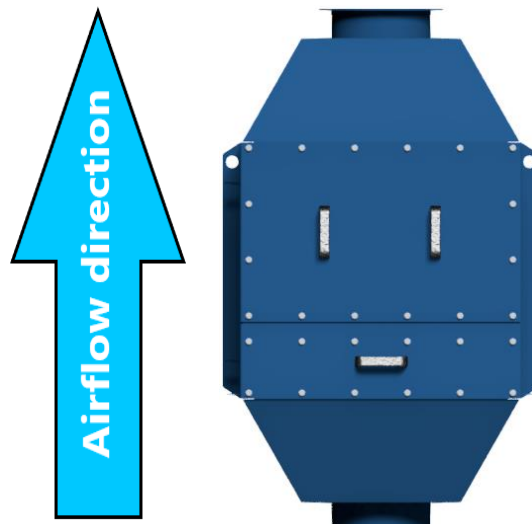
The housing of the Filter is made of a welded steel structure painted in blue paint RAL 5009.

The Safety Filter is equipped with H13 class filter cartridges acc. EN 1822 which are mounted in frames and tightly closed by doors screwed with screws. The flanges are standardized FL flanges.

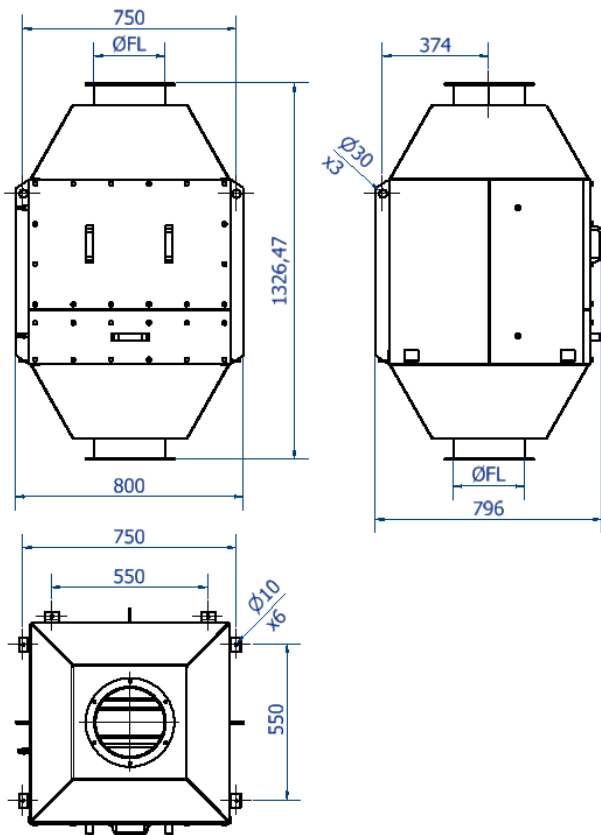
### Specification

Item Number	Item Name	Filtration area [m2]*	Airflow Rate [m3/h]*	Initial PD [Pa]*	Final PD [Pa]*	Filter classification	Max Operating Temp. [°C]*	Inlet/Outlet Size [mm]
7943077	Safety Filter FL180	22	2700	275	650	H13	80	180
7943078	Safety Filter FL200	22	2700	275	650	H13	80	200
5512640	Safety Filter FL250	22	2700	275	650	H13	80	250
5512688	Safety Filter Double Version FL250	44	5400	275	650	H13	80	250
7943079	Safety Filter Double Version FL315	44	5400	275	650	H13	80	315
7943080	Safety Filter Double Version FL355	44	5400	275	650	H13	80	355

\*Operation conditions depend on filtration cassette and may be slightly change.



## Dimensions:



## Dimensions: Double Version

